

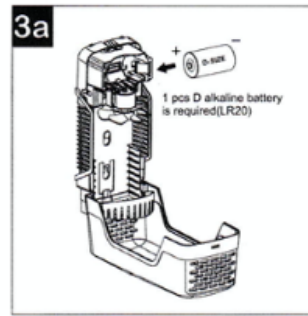
Operation Instructions



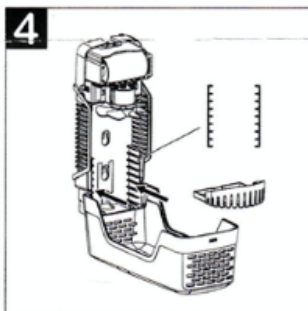
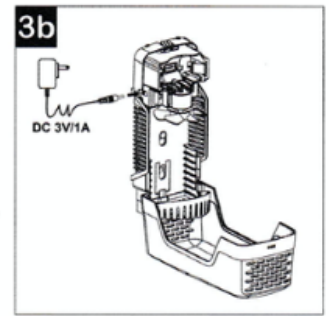
Dispenser and accessories pack



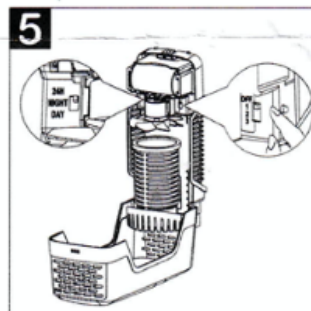
Insert key on top
Pull to open



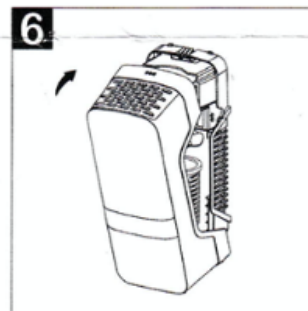
3a
1 pcs D alkaline battery is required(LR20)
Either battery or AC/DC power supply can work in the dispenser



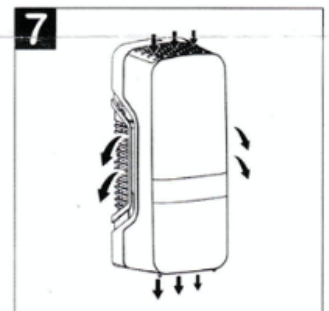
4
Adjust the ventilated holder to the preferable position, the closer to the fan, the stronger air flow on the refill it will be



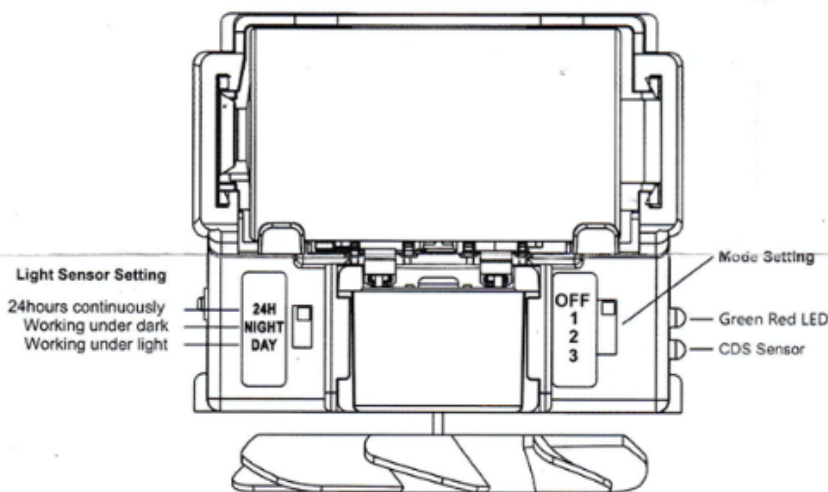
5
Light sensor and working mode setting



6
Close to lock



7
The wide fan moves the air freshener from top to all three directions, enjoy it!



OFF - Power OFF and Reset the dispenser

Mode 1 - fan turns continuously

Mode 2 - fan turns 10 seconds and then stops for 30 seconds by turns.

Mode 3 - the fan will work as following programs

First week - turns 1 minute and stops 3 minutes by turns
Second week - turns 1 minute and stops 2 minutes by turns
Third week - turns 1 minute and stops 1 minute by turns
Fourth week till the 30th day - turns continuously

And after the 30th day, the red LED is blinking to remind user to replace refill and after that you can turn OFF to reset the dispenser, and LED will stop blinking in red and starting from beginning again.

LED Signals:

Green LED blinking, it means the dispenser is under normal working status.
Red LED blinking, it means the power is low or a new refill is required.